

Industrial Interlocked Receptacles

60 Amp, 480VAC/250VDC, 3P4W Circuit Breaker Interlocked Receptacle Option

Ever-Lok® Mechanically Interlocked Receptacle and Switch Automotive/Heavy Industrial I-Beam Web Mount Heavy Service Ever-Lok® Mechanically Interlocked Receptacles and Switch

Features and Benefits

Mechanically interlocked between the receptacle and the switch. Designed so that when the plug is fully inserted, the switch interlock is automatically released, permitting the switch to be turned on. The plug cannot be removed from the receptacle until the switch is manually turned off.

- Switch: 60 amp, 480VAC, 3-pole, quick “make” and quick “break”
- Housings: heavy-cast aluminum corrosion-resistant copper-free alloy with gray electrostatic epoxy powder-coat finish. Furnished with oil-resistant gaskets
- Handle lock-out feature
- Circuit-breaker interlocked version available in standard and high AIC models
- One-handed insertion or removal: unique auto-locking collar engages upon insertion, 1/8 counter-clockwise turn disengages for removal
- Simple and rugged full interlock safety; plug cannot be inserted or withdrawn while power is on
- Fits in standard 8" I-beam web or wall mounting



INTERLOCK CAT. NO.	MATING TYPE	PLUG
CFCSRA13-60	Switched only	8418 or F27194 [†]
F32753 [‡]	Circuit breaker	8418 or F27194 [†]

[†] Automotive 480VAC.

[‡] 70A Trip version F26313 and other variations also available.

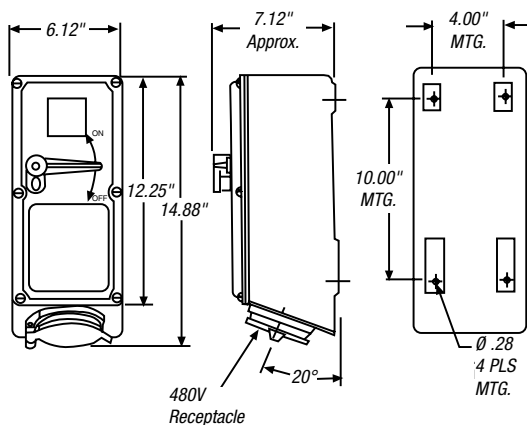
Notes: CFCSRA13-60 replaces previous Cat. #FCSRA13-60.

Mating plugs sold separately.

Dimensions

Mechanically Interlocked Switch

1 1/4" NPT Top Entry Std./Other Sizes Available



*17" dim. for F32753 unit

Mating Plug

60A, 3P4W, 8418 or F27194

